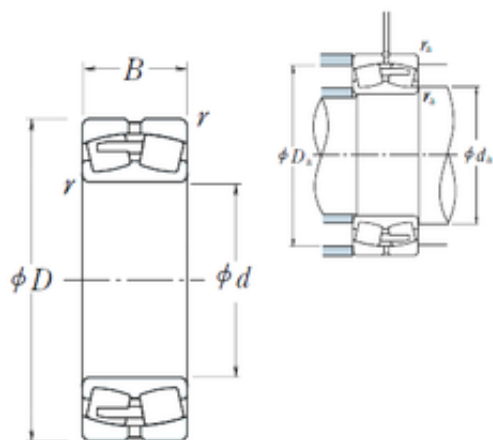




239/710CAE4 NSK Spherical Roller Bearing



Bearing No. 239/710CAE4

Size	710x950x180 mm
Bore Diameter	710 mm
Outer Diameter	950 mm
Width	180 mm
d	710 mm
D	950 mm
B	180 mm
C	180 mm
r min.	6 mm
da min.	738 mm
Da min	883 mm
Da max.	922 mm
ra max.	5 mm
Weight	352 Kg
Basic dynamic load rating (C)	4800 kN
Basic static load rating (C0)	11700 kN
(Grease) Lubrication Speed	240 r/min
(Oil) Lubrication Speed	300 r/min
Calculation factor (e)	0,17
Calculation factor (Y0)	3,8
Calculation factor (Y2)	5,8

239/710CAE4 Bearing 2D drawings and 3D CAD models