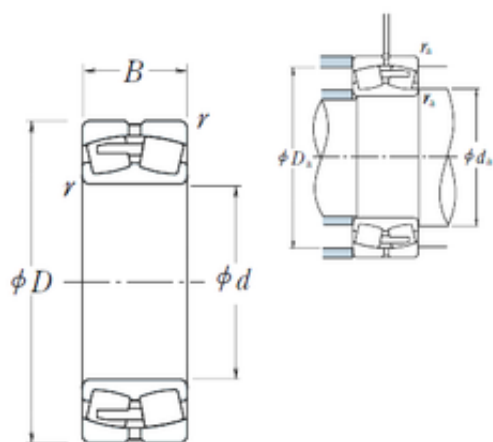




### 240/710CAE4 NSK Spherical Roller Bearing



Bearing No. 240/710CAE4

Size	710x1030x315 mm
Bore Diameter	710 mm
Outer Diameter	1030 mm
Width	315 mm
d	710 mm
D	1030 mm
B	315 mm
C	315 mm
r min.	7,5 mm
da min.	746 mm
Da min	916 mm
Da max.	994 mm
ra max.	6 mm
Weight	861 Kg
Basic dynamic load rating (C)	8850 kN
Basic static load rating (C0)	20700 kN
(Grease) Lubrication Speed	190 r/min
(Oil) Lubrication Speed	240 r/min
Calculation factor (e)	0,29
Calculation factor (Y0)	2,2
Calculation factor (Y2)	3,4

240/710CAE4 Bearing 2D drawings and 3D CAD models