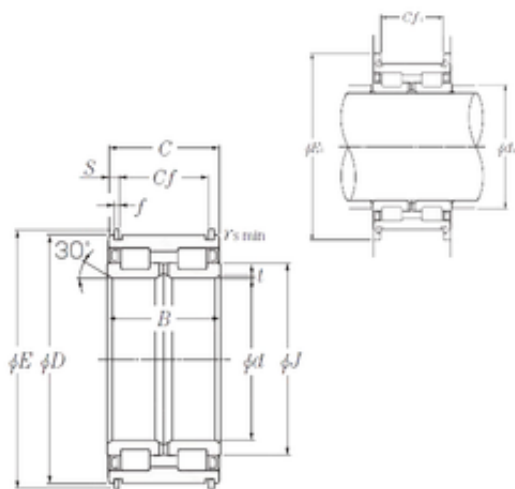




SL04-5022NR NTN Cylindrical Roller Bearing

Bearing No. SL04-5022NR



SL04-5022NR Bearing 2D drawings and 3D CAD models

Size	110x170x80 mm
Bore Diameter	110 mm
Outer Diameter	170 mm
Width	80 mm
d	110 mm
D	170 mm
B	80 mm
C	79 mm
E1	200 mm
t	1,8 mm
f	2,5 mm
r min.	1 mm
E	176,4 mm
J	131,5 mm
S	7 mm
da	116,5 mm
Cf	65 mm
Cf1	65 mm
Weight	7 Kg
Basic dynamic load rating (C)	385 kN
Basic static load rating (C0)	695 kN
Category	Cylindrical Roller Bearings
Inventory	0.0
Manufacturer Name	NTN
Minimum Buy Quantity	N/A
Weight / Kilogram	6.54



Luoyang SDZ Machinery Equipment Co., ...

Product Group	B04144
Bore Profile	Straight
Cage Material	None
Precision Class	RBEC 1 ISO P0
Number of Rows of Rollers	Double Row
Separable	No
Rolling Element	Cylindrical Roller Bearing
Profile	Complete with Outer and Inner Ring
Snap Ring	Yes
Internal Clearance	C0-Medium
Retainer	No
Relubricatable	Yes
Inch - Metric	Metric
Other Features	Full Complement 3 Rib Inner Ring 1 Rib Outer Ring
Long Description	110MM Bore; Straight Bore Profile; 170MM Outside Diameter; 80MM Width; RBEC 1 ISO P0; Double Row; Not Separable; Snap Ring; Relubricatable; C0-Medium Internal Clearance; No Retainer
Category	Cylindrical Roller Bearing
UNSPSC	31171547
Harmonized Tariff Code	8482.50.00.00
Noun	Bearing
Manufacturer URL	http://www.ntnamerica.com
Manufacturer Item Number	SL04-5022NR
Weight / LBS	14.409
Bore	4.331 Inch 110 Millimeter
Outside Diameter	6.693 Inch 170 Millimeter



Luoyang SDZ Machinery Equipment Co., ...

Width	3.15 Inch 80 Millimeter
-------	---------------------------