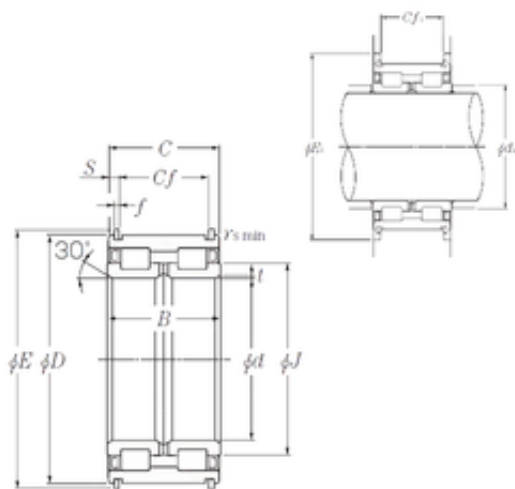




SL04-5024NR NTN Cylindrical Roller Bearing

Bearing No. SL04-5024NR



SL04-5024NR Bearing 2D drawings and 3D CAD models

Size	120x180x80 mm
Bore Diameter	120 mm
Outer Diameter	180 mm
Width	80 mm
d	120 mm
D	180 mm
B	80 mm
C	79 mm
E1	210 mm
t	1,8 mm
f	3 mm
r min.	1 mm
E	188,4 mm
J	141,5 mm
S	7 mm
da	126,5 mm
Cf	65 mm
Cf1	65 mm
Weight	7,5 Kg
Basic dynamic load rating (C)	400 kN
Basic static load rating (C0)	750 kN
Category	Roller Bearings
Inventory	0.0
Manufacturer Name	NTN
Minimum Buy Quantity	N/A
Weight / Kilogram	7.03



# Luoyang SDZ Machinery Equipment Co., ...

Product Group	B04144
---------------	--------