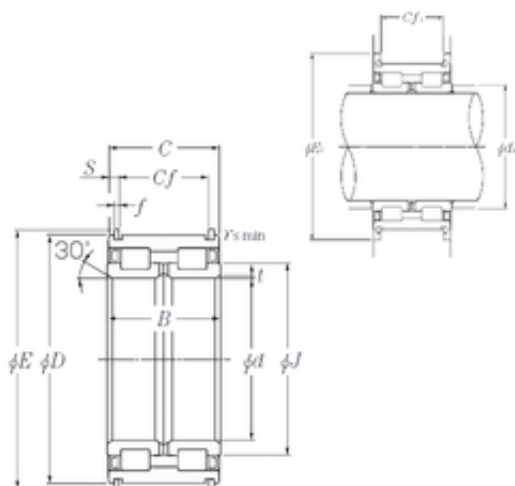




SL04-5028NR NTN Cylindrical Roller Bearing

Bearing No. SL04-5028NR



SL04-5028NR Bearing 2D drawings and 3D CAD models

Size	140x210x95 mm
Bore Diameter	140 mm
Outer Diameter	210 mm
Width	95 mm
d	140 mm
D	210 mm
B	95 mm
C	94 mm
E1	245 mm
t	1,8 mm
f	3 mm
r min.	1 mm
E	218,5 mm
J	167 mm
S	8,5 mm
da	146,5 mm
Cf	77 mm
Cf1	77 mm
Weight	12,1 Kg
Basic dynamic load rating (C)	600 kN
Basic static load rating (C0)	1 120 kN
Category	Cylindrical Roller Bearings
Inventory	0.0
Manufacturer Name	NTN
Minimum Buy Quantity	N/A
Weight / Kilogram	11.34



Luoyang SDZ Machinery Equipment Co., ...

Product Group	B04144
Bore Profile	Straight
Cage Material	None
Precision Class	RBEC 1 ISO P0
Number of Rows of Rollers	Double Row
Separable	No
Rolling Element	Cylindrical Roller Bearing
Profile	Complete with Outer and Inner Ring
Snap Ring	Yes
Internal Clearance	C0-Medium
Retainer	No
Relubricatable	Yes
Inch - Metric	Metric
Other Features	Full Complement 3 Rib Inner Ring 1 Rib Outer Ring
Long Description	140MM Bore; Straight Bore Profile; 210MM Outside Diameter; 95MM Width; RBEC 1 ISO P0; Double Row; Not Separable; Snap Ring; Relubricatable; C0-Medium Internal Clearance; No Retainer
Category	Cylindrical Roller Bearing
UNSPSC	31171547
Harmonized Tariff Code	8482.50.00.00
Noun	Bearing
Manufacturer URL	http://www.ntnamerica.com
Manufacturer Item Number	SL04-5028NR
Weight / LBS	24.973
Width	3.74 Inch 95 Millimeter
Bore	5.512 Inch 140 Millimeter



Luoyang SDZ Machinery Equipment Co., ...

Outside Diameter	8.268 Inch 210 Millimeter
------------------	-----------------------------