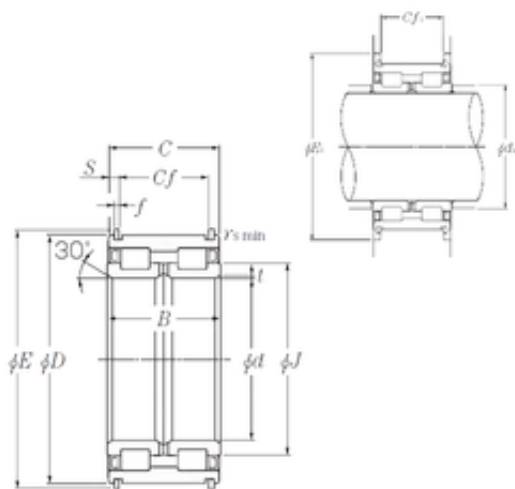




SL04-5030NR NTN Cylindrical Roller Bearing

Bearing No. SL04-5030NR



SL04-5030NR Bearing 2D drawings and 3D CAD models

Size	150x225x100 mm
Bore Diameter	150 mm
Outer Diameter	225 mm
Width	100 mm
d	150 mm
D	225 mm
B	100 mm
C	99 mm
E1	260 mm
t	2 mm
f	3 mm
r min.	1 mm
E	233,5 mm
J	178 mm
S	9 mm
da	157 mm
Cf	81 mm
Cf1	81 mm
Weight	14,6 Kg
Basic dynamic load rating (C)	690 kN
Basic static load rating (C0)	1 290 kN
Category	Cylindrical Roller Bearings
Inventory	0.0
Manufacturer Name	NTN
Minimum Buy Quantity	N/A
Weight / Kilogram	13.65



Luoyang SDZ Machinery Equipment Co., ...

Product Group	B04144
Bore Profile	Straight
Cage Material	None
Precision Class	RBEC 1 ISO P0
Number of Rows of Rollers	Double Row
Separable	No
Rolling Element	Cylindrical Roller Bearing
Profile	Complete with Outer and Inner Ring
Snap Ring	Yes
Internal Clearance	C0-Medium
Retainer	No
Relubricatable	Yes
Inch - Metric	Metric
Other Features	Full Complement 3 Rib Inner Ring 1 Rib Outer Ring
Long Description	150MM Bore; Straight Bore Profile; 225MM Outside Diameter; 100MM Width; RBEC 1 ISO P0; Double Row; Not Separable; Snap Ring; Relubricatable; C0-Medium Internal Clearance; No Retainer
Category	Cylindrical Roller Bearing
UNSPSC	31171547
Harmonized Tariff Code	8482.50.00.00
Noun	Bearing
Manufacturer URL	http://www.ntnamerica.com
Manufacturer Item Number	SL04-5030NR
Weight / LBS	30.056
Bore	5.906 Inch 150 Millimeter
Outside Diameter	8.858 Inch 225 Millimeter



Luoyang SDZ Machinery Equipment Co., ...

Width	3.937 Inch 100 Millimeter
-------	-----------------------------