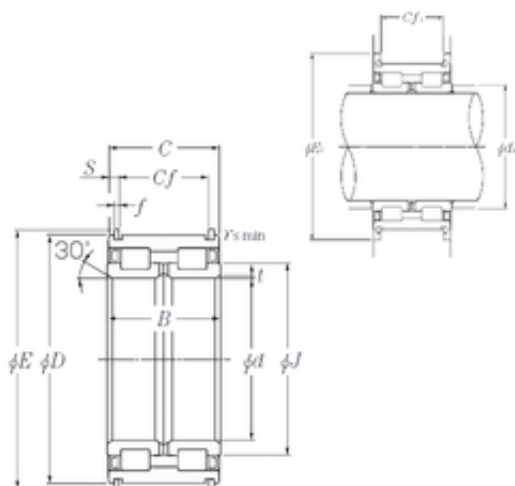




SL04-5052NR NTN Cylindrical Roller Bearing

Bearing No. SL04-5052NR



SL04-5052NR Bearing 2D drawings and 3D CAD models

Size	260x400x190 mm
Bore Diameter	260 mm
Outer Diameter	400 mm
Width	190 mm
d	260 mm
D	400 mm
B	190 mm
C	189 mm
E1	445 mm
t	3 mm
f	7 mm
r min.	1,5 mm
E	417 mm
J	310 mm
S	17,5 mm
da	270 mm
Cf	154 mm
Cf1	154 mm
Weight	90,7 Kg
Basic dynamic load rating (C)	1 950 kN
Basic static load rating (C0)	4 200 kN