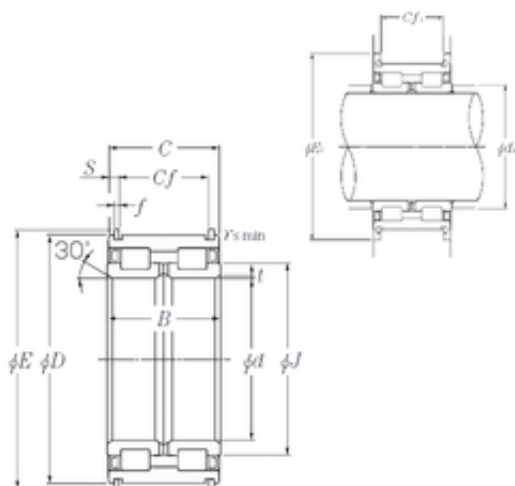




SL04-5060NR NTN Cylindrical Roller Bearing

Bearing No. SL04-5060NR



SL04-5060NR Bearing 2D drawings and 3D CAD models

Size	300x460x218 mm
Bore Diameter	300 mm
Outer Diameter	460 mm
Width	218 mm
d	300 mm
D	460 mm
B	218 mm
C	216 mm
E1	510 mm
t	3 mm
f	8 mm
r min.	1,5 mm
E	481 mm
J	363 mm
S	20 mm
da	310 mm
Cf	176 mm
Cf1	176 mm
Weight	137 Kg
Basic dynamic load rating (C)	2 670 kN
Basic static load rating (C0)	5 850 kN