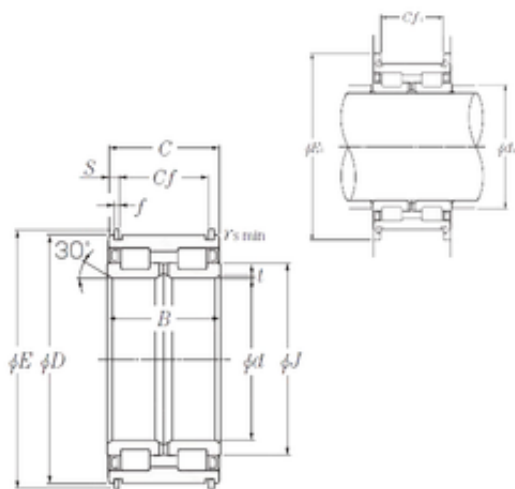




SL04-5088NR NTN Cylindrical Roller Bearing

Bearing No. SL04-5088NR



SL04-5088NR Bearing 2D drawings and 3D CAD models

Size	440x650x280 mm
Bore Diameter	440 mm
Outer Diameter	650 mm
Width	280 mm
d	440 mm
D	650 mm
B	280 mm
C	278 mm
E1	725 mm
t	4,5 mm
f	12 mm
r min.	3 mm
E	677 mm
J	518 mm
S	34 mm
da	456 mm
Cf	210 mm
Cf1	210 mm
Weight	331 Kg
Basic dynamic load rating (C)	4 500 kN
Basic static load rating (C0)	11 000 kN