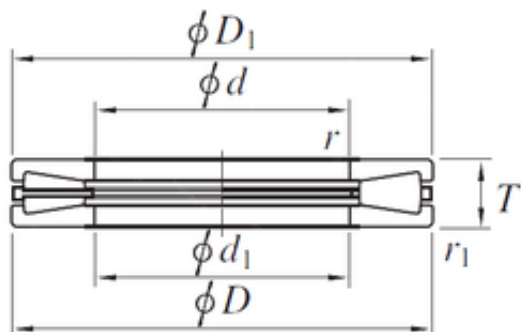




T921 Plain Bearings



Bearing No. T921

Size	234.950x546.100x127 mm
Bore Diameter	234.950 mm
Outer Diameter	546.100 mm
Width	127.000 mm
d	234.950 mm
D	546.100 mm
T	127.000 mm
d1	234.950 mm
r min.	15.9 mm
r1 min.	15.9 mm
D1	546.100 mm
Weight	174 Kg
Basic dynamic load rating (C)	4 470 kN

T921 Bearing 2D drawings and 3D CAD models